



PCORE
ELECTRIC

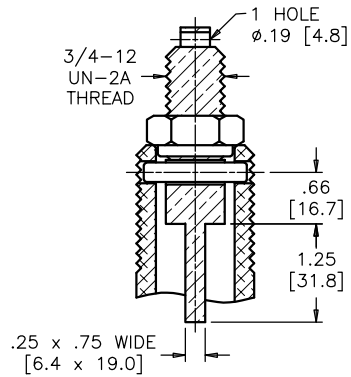
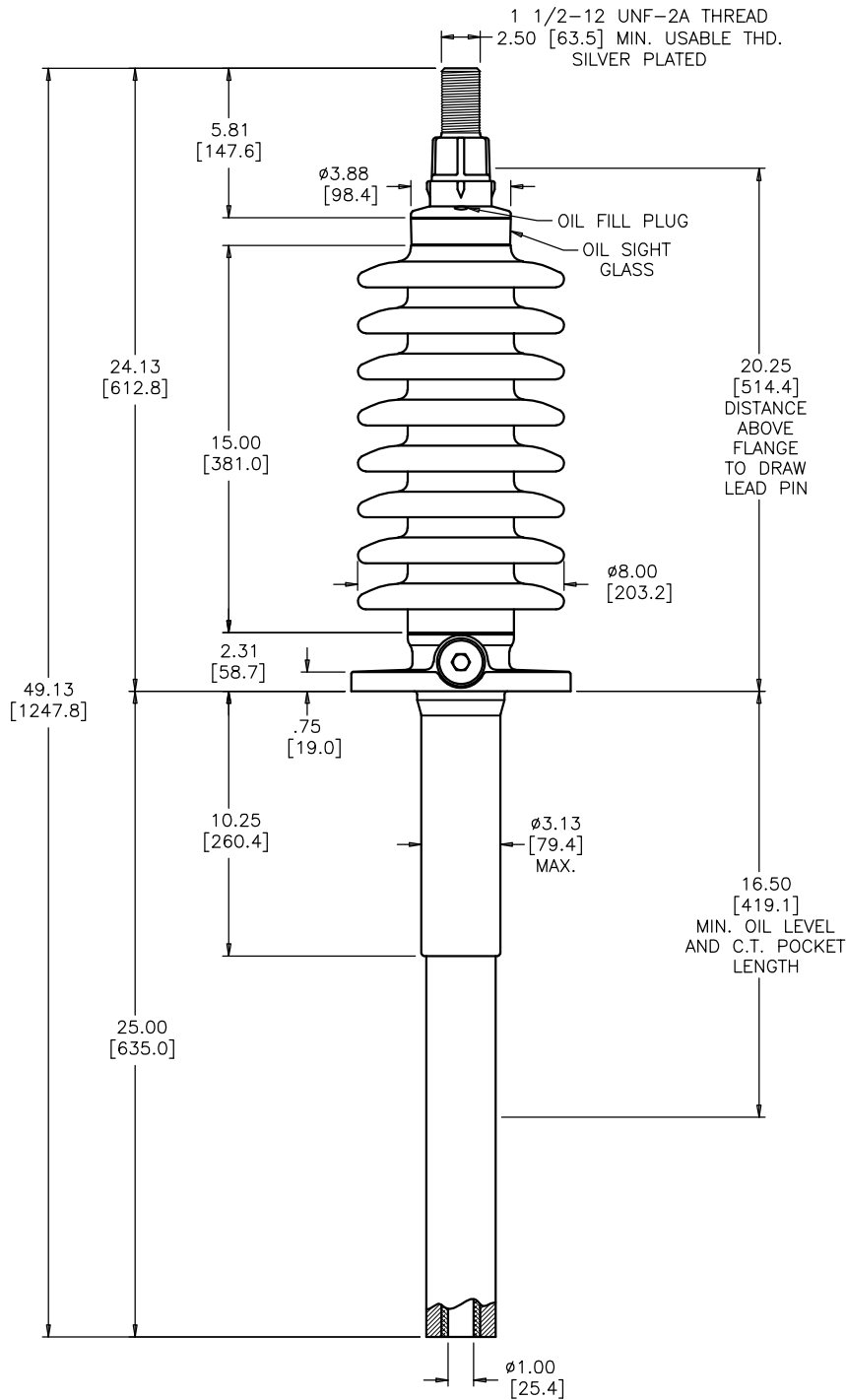
KV CLASS 34.5 kV	BIL 200 kV	Uy 22 kV
CURRENT RATING		
400 AMP DRAW LEAD CONNECTION		
MIN. CREEP 41.00 [1041.4]	MIN. STRIKE 17.00 [431.8]	
CREEP/L-G 2.06 [52.3]	STD. IEEE C57.19.00/01	
PCB CONTENT OF OIL IS LESS THAN 1 ppm		

DWG.	CATALOG NUMBER	GLAZE COLOR
SD	B-89301-44	BROWN
SD	B-89301-44-70	LT. GRAY

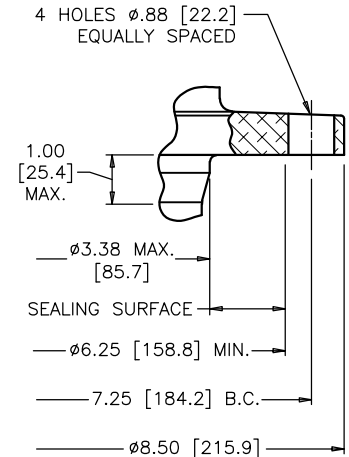
DATE 7-9-99	REV. DATE 4-6-20
MAXIMUM ALTITUDE 10000 ft [3000 m]	
NET WEIGHT 55 lb [25 kg]	
ANGLE OF INCLINATION FROM THE VERTICAL 0° TO 70°	

TITLE
PRC BUSHING
1 1/2-12 TOP THREAD

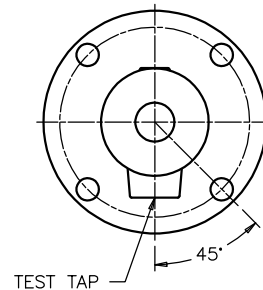
NOTE: ACTUAL DRAW-LEAD CURRENT RATING IS DETERMINED BY CABLE SIZE



DRAW LEAD ASSEMBLY



MOUNTING FLANGE DETAIL



FLANGE ALIGNMENT DIAGRAM TOP VIEW

DIMENSIONS IN INCHES [MILLIMETERS]

REVISION NET WEIGHT WAS 51 lbs

SCALE 1/5

NOTE TO PURCHASER:
ALL SALES OF PCORE PRODUCTS ARE SUBJECT TO OUR STANDARD TERMS AND CONDITIONS AND THE LIMITED WARRANTIES THEREUNDER